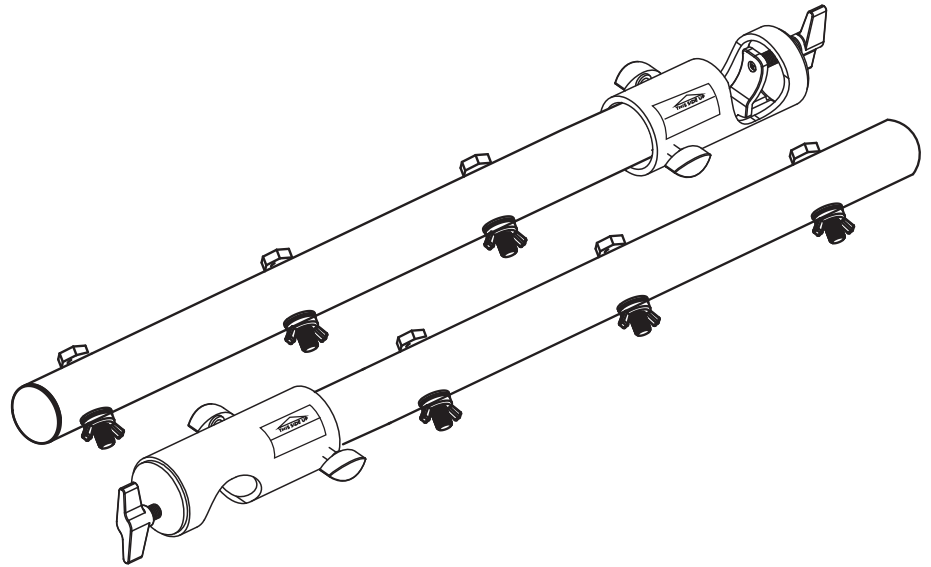


# ASSEMBLY INSTRUCTIONS

## u-mount<sup>®</sup> LIGHTING ARMS

**Congratulations!** You have purchased the LSA7700P u-mount Lighting Arms. You'll find this system to be the fastest and easiest way to add lights to your existing speaker or lighting stands. With proper care, these arms will last for years to come.

*We hope you enjoy your new purchase!*



### WARNING

READ THIS MANUAL CAREFULLY BEFORE ASSEMBLING AND USING THIS PRODUCT. KEEP THIS MANUAL IN A SAFE LOCATION FOR FUTURE REFERENCE.

**Your LSA7700's are pre-assembled and ready to use right away. Set up your speaker or lighting stand following the manufacturers recommendations, then follow the steps below:**

1. Take one lighting arm, and position its clamp on the upper vertical shaft at the desired height.
2. Look at the clamp label and be sure the clamp is right side up.



### IMPORTANT

POSITIONING THE CLAMPS WITH THE LABELS UPSIDE DOWN WILL CAUSE THE ARMS TO SAG.

3. Check to ensure the vertical shaft is fully inside the clamp opening (See figure A).
4. Tighten the large steel knob at the end of the clamp.
5. Repeat with the other lighting arm. Both clamps should be right side up (See figure B).



### CAUTION

ALWAYS MAINTAIN A BALANCED STAND. THE CLAMPS SHOULD BE POSITIONED 180° APART FOR STABILITY AND SAFETY.

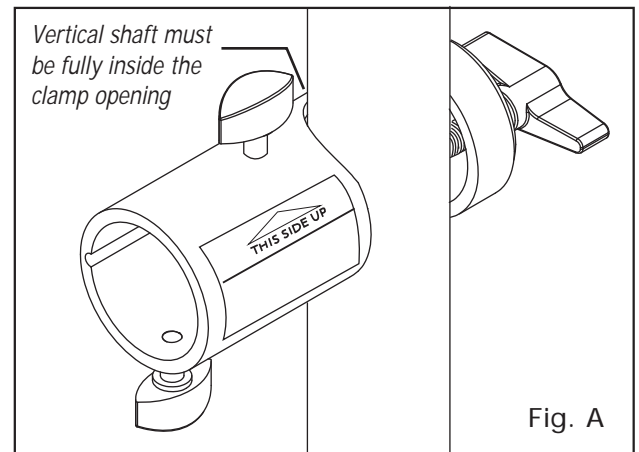


Fig. A

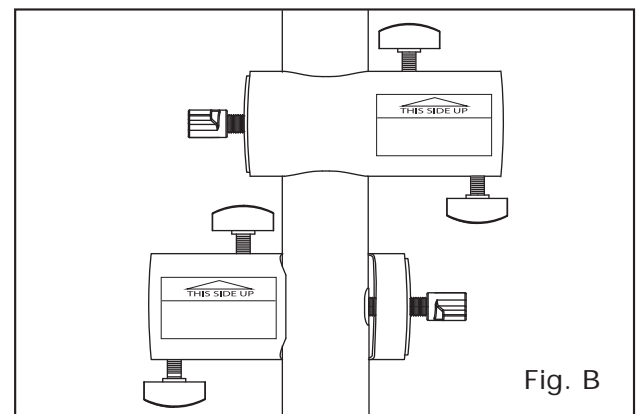


Fig. B

6. Check to ensure hardware is facing in the proper direction for LED/PAR assembly, and that all knobs are tight. If knobs are loose, or need to be loosened to adjust direction of hardware, be sure to tighten the bottom knob **FIRST** followed by the top knob, for each lighting arm before proceeding to the next step (See figure C).

7. Mount your LED/PAR lights to each Lighting Arm using the included hardware. Start from the inner-most positions and work your way outward to maintain balance.

8. Connect electrical cords to your lights.

9. If applicable, follow the instructions to finish assembly of your lighting stand or speaker stand, and enjoy your new light show.

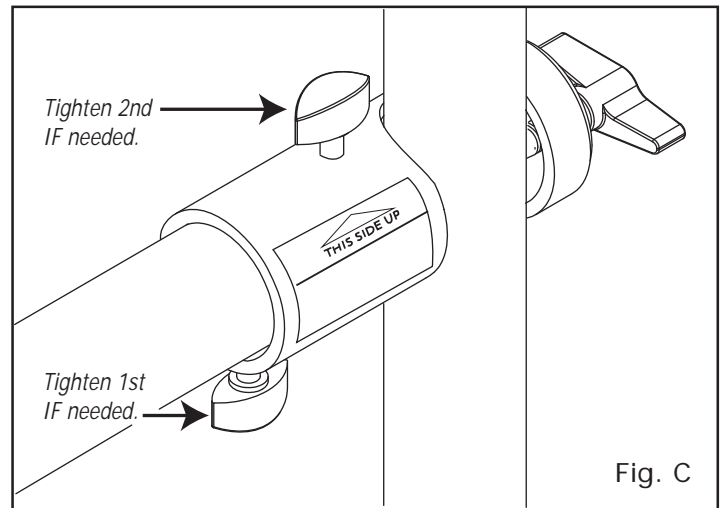


Fig. C

PLEASE KEEP THIS INSTRUCTION SHEET HANDY FOR FUTURE REFERENCE.

### REGISTER ONLINE. HERE'S WHY:

**Lightning Fast Service** - Get the fastest turn-around in the unlikely event of a warranty claim.

**Product Notifications** - We can contact you directly with product notifications and safety information.

**Better Products** - Your registration helps us to improve our products and develop new ones.



Model #LSA7700P  
© 2013 TMP, Inc.  
www.onstagestands.com

